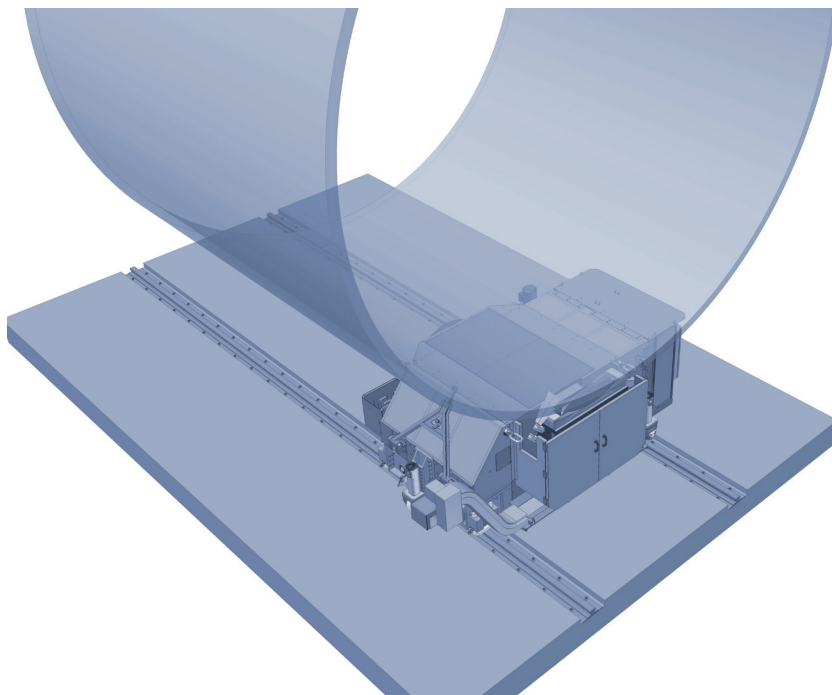


Data sheet

Circ seam milling machine

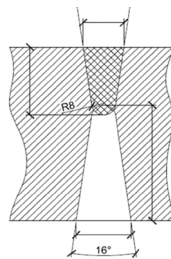
for preparing weld seam profiles on tube sections



Description

The circ seam milling machine is able to prepare the weld seam profiles at the outer diameter of tube sections. The milling cutter profile guarantees a uniform groove for a subsequent automated, economical welding procedure. The machine travels on rails underneath the pipe sections.

Example of weld seam profile



Specifications

Power:	65 kW
Work piece \varnothing :	max. 8,000 mm
Milling depth:	max. 120 mm
Shape/profile:	tulip

Chip conveyor	
Drive train unit	
Siemens Sinumerik 840 D SL control system	

Miba Automation Systems Ges.m.b.H.

Aurachkirchen 45

4812 Pinsdorf

Austria

Phone: +43 7613 2541-2444

www.miba.com, mas.office@miba.com