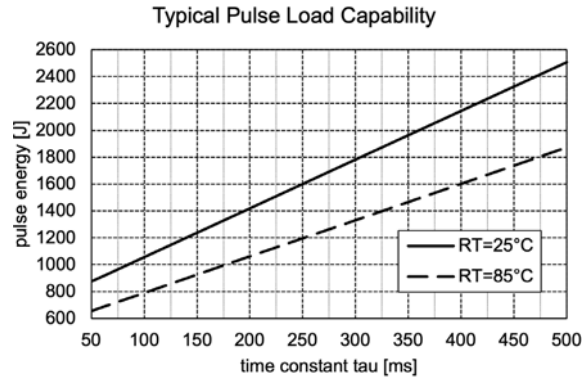


ESP 62/20

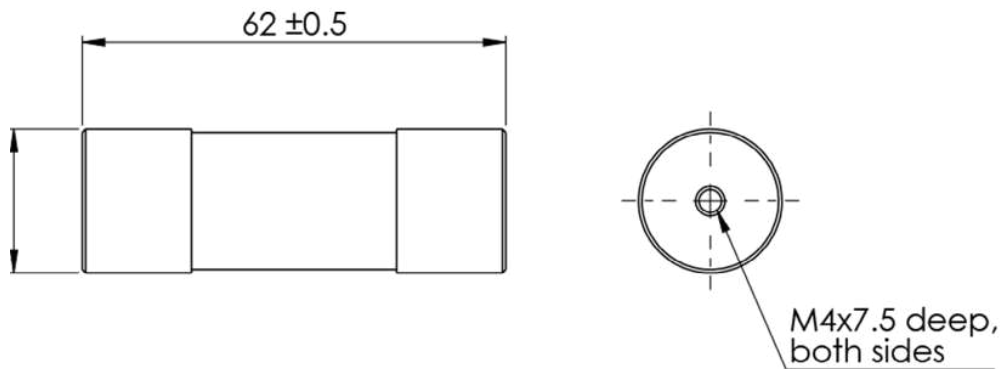


Benefits:

- Robust power resistor without heat sink requirement
- Shape of a fuse for easy integration
- Screw or snap in connection

Feature	Value
Operating voltage	1000 V
Ohmic range	1 - 1k Ω
Constant power rating*	15 W***
Weight**	~107 g
Rth	<12 K/W

Dimension in mm (inches)



*Depending on ohmic value, features and connection type

**Depending on variants and features

***Constant power rating at 85°C

CONTACT

Miba Energy Holding GmbH
Dr.-Mitterbauer-Str. 3
4663 Laakirchen
Austria
P: + 43 7613 25 41-0
M: powerelectronics@miba.com
www.miba.com

Disclaimer

The given statements and information herein are recommendations for the use of our products and are based on our experience in combination with applicable technical standards. They are for guidance only and do not represent any assurance of characteristics or warranty commitments for the products or their suitability for specific applications. The suitability of the products for the intended use by the user depends on different boundary conditions and influencing factors and is to be assessed exclusively by the user.

DISCLAIMER:

NO WARRANTY OR GUARANTEE, EXPRESS OR IMPLIED, IS MADE WITH RESPECT TO THE PRODUCTS, DESIGNS, DATA, INFORMATION DESCRIBED OR ANY INTELLECTUAL PROPERTY CONTAINED THEREIN. ANY WARRANTY OR GUARANTEE OF MERCHANTABILITY OR FITNESS FOR A PARTICULAR PURPOSE IS ALSO EXCLUDED.

The given statements and information herein reflect the current status at the time of publication. Typing or printing errors cannot be excluded. This publication shall not be reprinted or reproduced in whole or in part in any form or by any means without the express written permission of Miba.