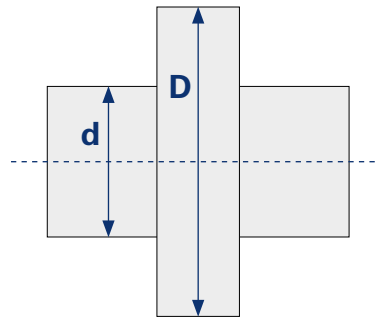


Specification datas Inquiry

Reset form

1. Shaft diameter



Inquiry Date:

Shaft diameter (d) = mm

2. Shaft speed

$n =$ rpm (at normal operation)

$n_{max} =$ rpm (for API-case-calculation)

$n_{min} =$

3. Envisaged oil viscosity (ISO VG)

ISO VG

ISO VG 46 submitted

oil inlet temperature

$V_{in} =$ °C

4. Type of bearing

Standard bearing:

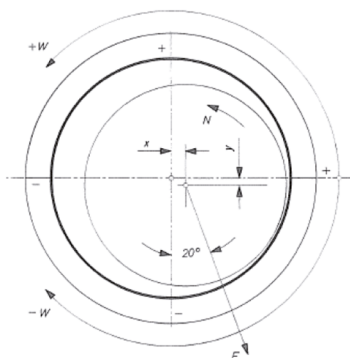
Ratio length/diameter:

Profile:

Radial load: $F =$ N (at full load mode)

$F =$ N (at no load mode)

Thrust load: $F_{ax} =$ N



Load angle and direction of rotation

Shaft rotation anti-clockwise (L): angle W positive

Shaft rotation clockwise (R): angle W negative

Example of anti-clockwise rotation

Load angle : $W = +290^\circ$

Load angle: $W =$

Additional Information:

Please provide as much information as available. Where information cannot be provided, Miba will suggest typical values based on the given information.

For further information regarding any of our products, please see our website.